

An energy-efficient solution

EB-Certalume for TL5 lamps

Affordable, reliable, high-frequency electronic ballast for TL5 fluorescent lamps, ideal alternative to electromagnetic fluorescent systems. The cost-saving and reliable EB-C has energy efficiency class A2, and its robust design meets all necessary international standards for safety and EMC. The ballast is primarily designed for Indoor application. For outdoor application, the luminaire should be minimum Classland need to be sufficiently protected against water & dust. The installation should also be guard against any lightening surge or any other necessary electrical protection as deemed in such typical installation & application.

Benefits

- Energy-saving solution (CELMA A2)
- Long lifetime of 45,000 hours @ Ta=50 °C
- Conforming to international standards for safety and EMC

Features

- Energy efficient CELMA A2, high power factor 0.97 with THD <math><lt;/> 18\%- Safety according to IEC 61347-2-3, and EMC compliant with EN 55015 2006 + A1 2007
- Robust design for 45,000 hours lifetime at Ta 50 °C and avg. 6,000 on/off switches on one lamp
- Quick warm, flicker-free lamp start (<math><lt;/> 1.0\text{ s}</math>), no ignitor needed
- Wide voltage range for ignition and operation (165-253 V)

EB-Certalume for TL5 lamps

Application

- Designed for applications where lamps burn for a long period of time and switching cycle (on/off) is infrequent. Typical areas of application include:
- Professional indoor applications (e.g. offices and hotels)
- Department stores, shops, supermarkets and public area's
- Indoor lighting boxes
- Homes

Versions

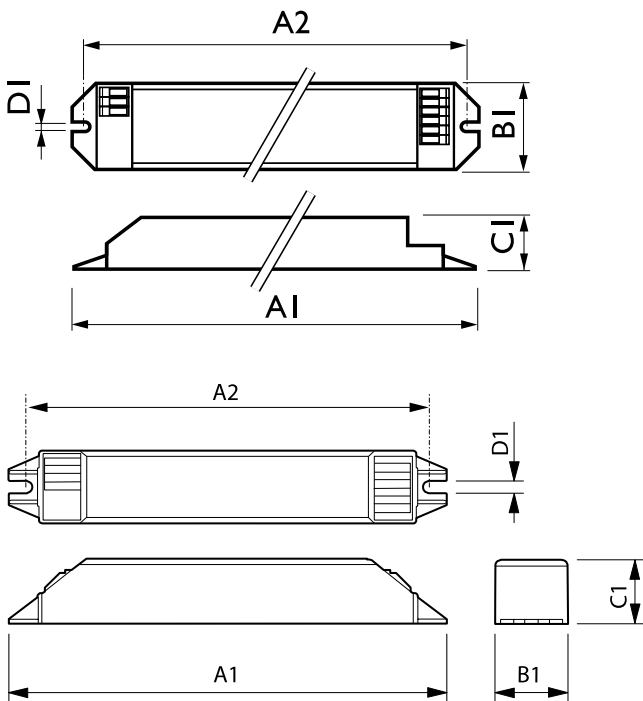
Fluorescent Fixed Output Gear,
EB-C, 128, TL5



EB-Ci 1-2 Lamp 14-28W TL5
220-240V



Dimensional drawing



Product	D1	C1	A1	A2	B1
EB-C 114 TL5 220-240V 50/60Hz	4.2 mm	21.0 mm	275.0 mm	265.0 mm	19.8 mm

Product	A1	A2	B1	C1	D1
EB-Ci 1-2 14-28W 220-240V 50/60 Hz	210 mm	200 mm	30 mm	26 mm	4.3 mm

Approval and Application

Energy Efficiency Index A2

General Information

EB-Certalume for TL5 lamps

Order Code	Full Product Name	Number of Lamps
913713196214	EB-C 114 TL5 220-240V 50/60Hz	1 piece/unit

Order Code	Full Product Name	Number of Lamps
913713043280	EB-Ci 1-2 14-28W 220-240V 50/60 Hz	1-3 piece/unit

Operating and Electrical

Order Code	Full Product Name	Input Frequency	Input Voltage	Number of Products on MCB (16A Type) B) (Max)
913713196214	EB-C 114 TL5 220-240V 50/60Hz	50 to 60 Hz	220 to 240 V	-

Order Code	Full Product Name	Input Frequency	Input Voltage	Number of Products on MCB (16A Type) B) (Max)
913713043280	EB-Ci 1-2 14-28W 220-240V 50/60 Hz	50 or 60 Hz	220-240 V	30

Mechanical and Housing

Order Code	Full Product Name	Housing
913713196214	EB-C 114 TL5 220-240V 50/60Hz	L 275x20x21

Order Code	Full Product Name	Housing
913713043280	EB-Ci 1-2 14-28W 220-240V 50/60 Hz	L210x30x26mm

