



# Tango G3 - BVP38x

## BVP383 LED506/NW 390W 220-240V NB GM

The energy-saving Philips Tango G3 LED Floodlight is the ideal solution for a wide range of Area lighting applications. It incorporates the LED light source, optical system, heat sink and driver into one compact and robust housing that meets globally recognised safety standards. Its specially designed heat sink incorporates aesthetics and functionality to ensure excellent reliability. Powered by LED technology, this luminaire delivers superior performance and a longer lifetime, bringing area lighting to a whole new level.

### Product data

General Information	
Lamp colour code	740 neutral white
Driver included	Yes
Optical cover/lens type	Polycarbonate micro lens optic
Control interface	-
Connection	Flying leads/cables
Cable	Cable 0.5 m without plug
Protection class IEC	Safety class I
CE mark	CE mark
Operating and Electrical	
Input Voltage	220 to 240 V
Input frequency	50 or 60 Hz
Power factor (min.)	0.9
Controls and Dimming	
Dimmable	No
Mechanical and Housing	
Housing material	Aluminium die-cast

Optical cover/lens material	Polycarbonate
Colour	Aluminium and Grey
Approval and Application	
Ingress protection code	IP66 [ Dust penetration-protected, jet-proof]
Mech. impact protection code	IK08 [ 5 J vandal-protected]
Initial Performance (IEC Compliant)	
Initial luminous flux	50600 lm
Luminous flux tolerance	+/-10%
Initial LED luminaire efficacy	134 lm/W
Lamp colour temperature	4000 K
Colour Rendering Index	>70
Initial input power	390 W
Power consumption tolerance	+/-10%
Application Conditions	
Ambient temperature range	-40 to +50 °C

# Tango G3 - BVP38x

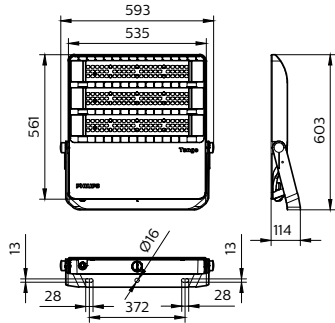
## Product Data

Full product code	911401612306
Order product name	BVP383 LED506/NW 390W 220-240V NB GM
Order code	911401612306
SAP numerator – quantity per pack	1
Numerator – packs per outer box	1

SAP material	911401612306
Net Weight (Piece)	12.499 kg



## Dimensional drawing



BVP38x Tango G3

