



Tango G3 - BVP38x

BVP383 LED243/WW 240W 220-240V SWB GM

The energy-saving Philips Tango G3 LED Floodlight is the ideal solution for a wide range of Area lighting applications. It incorporates the LED light source, optical system, heat sink and driver into one compact and robust housing that meets globally recognised safety standards. Its specially designed heat sink incorporates aesthetics and functionality to ensure excellent reliability. Powered by LED technology, this luminaire delivers superior performance and a longer lifetime, bringing area lighting to a whole new level.

Product data

General Information	
Lamp family code	-
Lamp colour code	Warm white
Light source replaceable	Yes
Driver/power unit/transformer	Power supply unit
Driver included	Yes
Optical cover/lens type	Polycarbonate micro lens optic
Luminaire light beam spread	30° x 80°
Control interface	-
Connection	Flying leads/cables
Cable	Cable 1.5 m without plug
Protection class IEC	Safety class I
Flammability mark	-
CE mark	CE mark
ENEC mark	-
Warranty period	3 years
Optic type outdoor	Symmetrical wide beam
EU RoHS compliant	No

LED engine type	LED
Light Technical	
Standard tilt angle post-top	-
Standard tilt angle side entry	-
Operating and Electrical	
Input Voltage	220-240 V
Input frequency	50 or 60 Hz
Power factor (min.)	0.95
Controls and Dimming	
Dimmable	No
Mechanical and Housing	
Housing material	Aluminium die-cast
Reflector material	-
Optic material	Polycarbonate

Tango G3 - BVP38x

Optical cover/lens material	Polycarbonate
Fixation material	Steel
Mounting device	Mounting bracket adjustable
Optical cover/lens shape	-
Optical cover/lens finish	Frosted
Overall length	591 mm
Overall width	114 mm
Overall height	603 mm
Effective projected area	0.29 m ²
Colour	Aluminium and Grey

Approval and Application

Ingress protection code	IP66 [Dust penetration-protected, jet-proof]
Mech. impact protection code	IK08 [5 J vandal-protected]
Surge protection (common/differential)	Luminaire surge protection level up to 15 kV differential mode and 15 kV common mode

Initial Performance (IEC Compliant)

Initial luminous flux	24300 lm
Luminous flux tolerance	+/-10%
Initial LED luminaire efficacy	100 lm/W

Lamp colour temperature	3000 K
Colour Rendering Index	>70
Initial chromaticity	SDCM< 7
Initial input power	240 W
Power consumption tolerance	+/-10%

Application Conditions

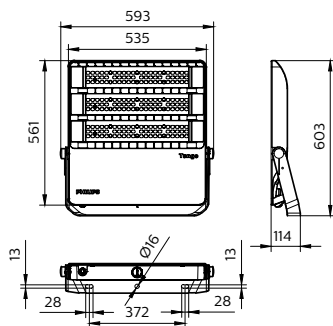
Ambient temperature range	-40 to +50 °C
---------------------------	---------------

Product Data

Full product code	911401696703
Order product name	BVP383 LED243/WW 240W 220-240V SWB GM
Order code	911401696703
SAP numerator – quantity per pack	1
Numerator – packs per outer box	1
SAP material	911401696703
Net Weight (Piece)	12.499 kg



Dimensional drawing



BVP38x Tango G3

