



Tango G3 - BVP38x

BVP383 LED324/WW 320W 220-240V SWB GM

The energy-saving Philips Tango G3 LED Floodlight is the ideal solution for a wide range of Area lighting applications. It incorporates the LED light source, optical system, heat sink and driver into one compact and robust housing that meets globally recognised safety standards. Its specially designed heat sink incorporates aesthetics and functionality to ensure excellent reliability. Powered by LED technology, this luminaire delivers superior performance and a longer lifetime, bringing area lighting to a whole new level.

Product data

General Information		LED engine type	
Lamp family code	-	LED engine type	LED
Lamp colour code	Warm white	Light Technical	
Light source replaceable	Yes	Standard tilt angle post-top	-
Driver/power unit/transformer	Power supply unit	Standard tilt angle side entry	-
Driver included	Yes	Operating and Electrical	
Optical cover/lens type	Polycarbonate micro lens optic	Input Voltage	220-240 V
Luminaire light beam spread	30° x 80°	Input frequency	50 or 60 Hz
Control interface	-	Power factor (min.)	0.95
Connection	Flying leads/cables	Controls and Dimming	
Cable	Cable 1.5 m without plug	Dimmable	No
Protection class IEC	Safety class I	Mechanical and Housing	
Flammability mark	-	Housing material	Aluminium die-cast
CE mark	CE mark	Reflector material	-
ENEC mark	-	Optic material	Polycarbonate
Warranty period	3 years		
Optic type outdoor	Symmetrical wide beam		
EU RoHS compliant	No		

Tango G3 - BVP38x

Optical cover/lens material	Polycarbonate
Fixation material	Steel
Mounting device	Mounting bracket adjustable
Optical cover/lens shape	-
Optical cover/lens finish	Frosted
Overall length	591 mm
Overall width	114 mm
Overall height	603 mm
Effective projected area	0.29 m ²
Colour	Aluminium and Grey

Approval and Application

Ingress protection code	IP66 [Dust penetration-protected, jet-proof]
Mech. impact protection code	IK08 [5 J vandal-protected]
Surge protection (common/differential)	Luminaire surge protection level up to 15 kV differential mode and 15 kV common mode

Initial Performance (IEC Compliant)

Initial luminous flux	32400 lm
Luminous flux tolerance	+/-10%
Initial LED luminaire efficacy	100 lm/W

Lamp colour temperature	3000 K
Colour Rendering Index	>70
Initial chromaticity	SDCM< 7
Initial input power	320 W
Power consumption tolerance	+/-10%

Application Conditions

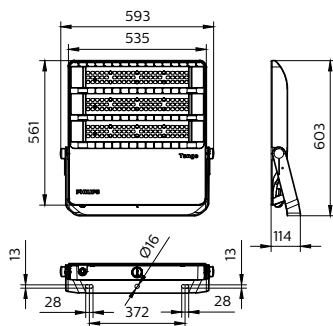
Ambient temperature range	-40 to +50 °C
---------------------------	---------------

Product Data

Full product code	911401698603
Order product name	BVP383 LED324/WW 320W 220-240V SWB GM
Order code	911401698603
SAP numerator – quantity per pack	1
Numerator – packs per outer box	1
SAP material	911401698603
Net Weight (Piece)	12.499 kg



Dimensional drawing



BVP38x Tango G3

