



GreenPerform Panel

SP160P LED60S 840 W60L120 PSU

- - Wide beam - Polystyrene bowl/cover prismatic - 110°

GreenPerform Panel is the slimmest Panel with highest efficacy in the market. It offers two lumen options with four dimension types, 200X1200, 300X1200, 600x600,600x1200, and three mounting options, recessed, suspended and plaster ceiling.

Product data

General Information	
Beam angle of light source	- °
Lamp colour code	840 neutral white
Light source replaceable	No
Number of gear units	1 unit
Driver/power unit/transformer	-
Driver included	Yes
Optic type	Wide beam
Optical cover/lens type	Polystyrene bowl/cover prismatic
Luminaire light beam spread	110°
Control interface	-
Connection	Internal connector
Cable	-
Protection class IEC	Safety class II
Glow-wire test	Temperature 650 °C, duration 30 s
Flammability mark	-
CE mark	CE mark
ENEC mark	-
Warranty period	3 years
Constant light output	No

Number of products on MCB (16 A type B)	60
EU RoHS compliant	Yes
LED engine type	LED

Operating and Electrical

Input Voltage	220 to 240 V
Input frequency	50 to 60 Hz
Initial CLO power consumption	NA W
Average CLO power consumption	NA W
Inrush current	15.8 A
Inrush time	181 ms
Power factor (min.)	0.9

Controls and Dimming

Dimmable	No
----------	----

Mechanical and Housing

Housing material	Aluminium
Reflector material	-
Optic material	Polystyrene

GreenPerform Panel

Optical cover/lens material	Polystyrene
Fixation material	Steel
Optical cover/lens finish	Frosted
Overall length	1195 mm
Overall width	595 mm
Overall height	10 mm
Colour	White

Approval and Application

Ingress protection code	IP20 [Finger-protected]
Mech. impact protection code	IK03 [0.3 J]

Initial Performance (IEC Compliant)

Initial luminous flux	6000 lm
Luminous flux tolerance	+/-5%
Initial LED luminaire efficacy	110 lm/W
Lamp colour temperature	4000 K
Colour Rendering Index	>80
Initial chromaticity	(0.43, 0.40) SDCM<4
Initial input power	55 W

Power consumption tolerance	+/-10%
-----------------------------	--------

Over Time Performance (IEC Compliant)

Median useful life L80B50	50 h
---------------------------	------

Application Conditions

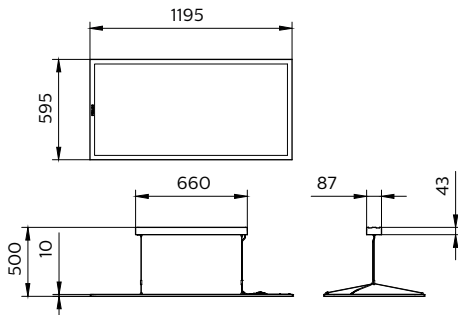
Ambient temperature range	-20 to +45 °C
Maximum dimming level	Not applicable

Product Data

Full product code	911401726952
Order product name	SP160P LED60S 840 W60L120 PSU
Order code	911401726952
Numerator – quantity per pack	1
SAP numerator – packs per outer box	2
Material no. (12 NC)	911401726952
SAP net weight (piece)	4.750 kg



Dimensional drawing



SmartPanel 2.0 RC160V

