



Green Perform Panel – W4

SP160P LED20S 840 W20L120 PSU CI

Acrylate cover and semi-matt high-reflective optic

GreenPerform Panel is the slimmest Panel with the highest efficacy in the market. It offers two lumen options with four dimension types, 200X1,200, 300X1,200, 600x600,600x1,200, and three mounting options: recessed, suspended and plaster ceiling. New wave offers complete connectivity with propositions like IAO, IAP and POE. It also offers direct indirect options with tunability.

Product data

General Information	
Lamp colour code	840 neutral white
Optical cover/lens type	Acrylate cover and semi-matt high-reflective optic
Control interface	-
Protection class IEC	Safety class III
CE mark	CE mark
Number of products on MCB (16 A type B)	23
Light source engine type	LED
Operating and Electrical	
Input Voltage	220 to 240 V
Input frequency	50 or 60 Hz
Power factor (min.)	0.9

Controls and Dimming	
Dimmable	No
Mechanical and Housing	
Housing material	Extruded aluminium
Optical cover/lens material	Acrylate and polycarbonate
Optical cover/lens finish	Matt
Overall length	1200 mm
Overall width	200 mm
Overall height	30 mm
Colour	White
Approval and Application	
Ingress protection code	IP20 [Finger-protected]
Mech. impact protection code	-

Green Perform Panel – W4

Initial Performance (IEC Compliant)

Initial luminous flux (system flux)	2000 lm
Luminous flux tolerance	+/-10%
Initial LED luminaire efficacy	100 lm/W
Lamp colour temperature	4000 K
Colour Rendering Index	>80
Initial input power	20 W
Power consumption tolerance	+/-10%

Over Time Performance (IEC Compliant)

Median useful life L80B50	50000 h
---------------------------	---------

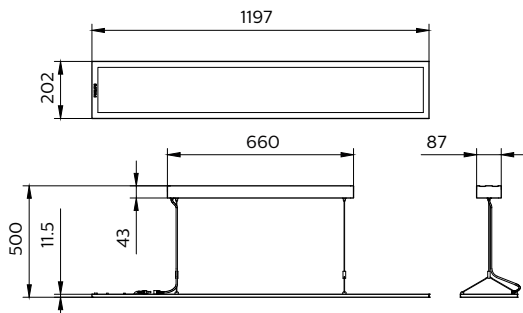
Application Conditions

Ambient temperature range	-20 to +45 °C
---------------------------	---------------

Product Data

Full product code	911401726972
Order product name	SP160P LED20S 840 W20L120 PSU CI
Order code	911401726972
SAP numerator – quantity per pack	1
Numerator – packs per outer box	2
SAP material	911401726972
SAP net weight (piece)	2.000 kg

Dimensional drawing



SmartPanel 2.0 RC160V

