



Dynalite Network Devices

DMAL120F

Active Load to improve dimming performance and reduce lamp flicker

Active Load to improve dimming performance and reduce lamp flicker

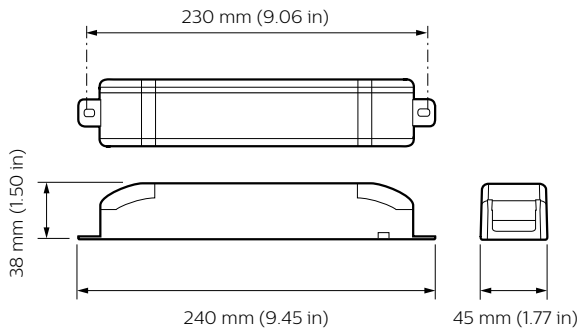
Product data

General information	
CE mark	CE mark
Type description – long text	Active Load to improve dimming performance and reduce lamp flicker
Remarks	Please download the Lighting - Product Data Sheet for more information and ordering options
EU RoHS compliant	Yes
Application conditions	
Ambient temperature range	0 to +60 °C

Product data	
Full product code	871869600143100
Order product name	DMAL120F
EAN/UPC – product	8718696001431
Order code	913703061609
SAP numerator – quantity per pack	1
Numerator – packs per outer box	1
SAP material	913703061609
Net Weight (Piece)	118.000 g

Dynalite Network Devices

Dimensional drawing



DMAL120F

