



Dynalite Sensors

DUS90CS

Wall/ceiling mount 90° multifunction sensor

Wall/ceiling mount 90° multifunction sensor

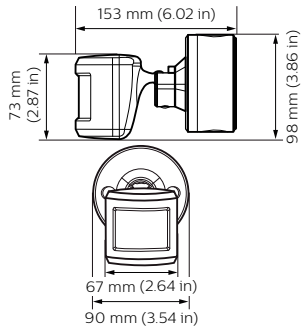
Product data

| General Information | |
|---------------------------|---|
| CE mark | CE mark |
| Remarks | Please download the Lighting - Product Data Sheet for more information and ordering options |
| EU RoHS compliant | Yes |
| Application Conditions | |
| Ambient temperature range | -20 to +45 °C |
| Product Data | |
| Full product code | 871869688807000 |

| | |
|-----------------------------------|---------------|
| Order product name | DUS90CS |
| EAN/UPC – product | 8718696888070 |
| Order code | 913703244209 |
| SAP numerator – quantity per pack | 1 |
| Numerator – packs per outer box | 1 |
| SAP material | 913703244209 |
| Net Weight (Piece) | 214.000 g |

Dynalite Sensors

Dimensional drawing



Dynalite Sensors

