

EB-Certalume for TL-D lamps

EB-Ci 1-2 36W / 1-4 18W 220-240V 50/60Hz

Affordable, reliable, high-frequency electronic ballast for TL-D fluorescent lamps, ideal alternative to electromagnetic fluorescent systems. The cost-saving and reliable EB-C has energy efficiency class A2, and its robust design meets all necessary international standards for safety and EMC. The ballast is primarily designed for Indoor application. For outdoor application, the luminaire should be minimum Classland need to be sufficiently protected against water & dust. The installation should also be guard against any lightening surge or any other necessary electrical protection as deemed in such typical installation & application.

Product data

General Information		Temperature	
Number of Lamps	1-4 piece/unit	T-Case Lifetime (Max)	75 °C
		T-Case Maximum (Max)	75 °C
Operating and Electrical		Mechanical and Housing	
Input Voltage	220-240 V	Housing Material	Plastic
Input Frequency	50 or 60 Hz	Housing	L210x30x26mm
Earth Leakage Current (Max)	0.5 mA	Approval and Application	
Inrush Current Width	0.35 ms	Ingress protection code	IP20 [Finger-protected]
Inrush Current Peak (Max)	19 A	Energy Efficiency Index	A2
Number of Products on MCB (16A Type B) (Max)	28	Safety Standard	IEC 61347-2-3, IEC 61347-1
Wiring		Environmental Standard	ISO 14001
Connector Type Input Terminals	Insert	Approval Marks	CB Certificate CCC certificate TISI marking PSB certification RCM compliance CS
Connector Type Output Terminals	Insert		
Connector Type	Insert		

EB-Certalume for TL-D lamps

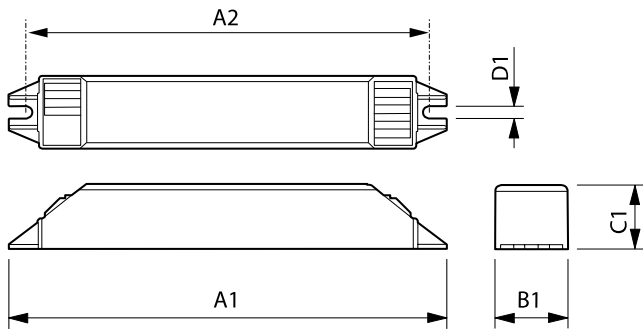
Compliance IRAM Compliance SNI
Certificate

Product Data

Full product code	694793913353600
Order product name	EB-Ci 1-2 36W / 1-4 18W 220-240V 50/60Hz
Order code	913713043180
Numerator - Quantity Per Pack	1

Numerator - Packs per outer box	30
Material number (12NC)	913713043180
Full product name	EB-Ci 1-2 36W / 1-4 18W 220-240V 50/60Hz
EAN/UPC - Case	6947939133543

Dimensional drawing



Product	A1	A2	B1	C1	D1
EB-Ci 1-2 36W / 1-4 18W 220-240V 50/60Hz	210 mm	200 mm	30 mm	26 mm	4.3 mm

