

# EB-Certalume for TL5 lamps

## EB-Ci 1-2 14-28W 220-240V 50/60 Hz

Affordable, reliable, high-frequency electronic ballast for TL5 fluorescent lamps, ideal alternative to electromagnetic fluorescent systems. The cost-saving and reliable EB-C has energy efficiency class A2, and its robust design meets all necessary international standards for safety and EMC. The ballast is primarily designed for Indoor application. For outdoor application, the luminaire should be minimum Classland need to be sufficiently protected against water & dust. The installation should also be guard against any lightening surge or any other necessary electrical protection as deemed in such typical installation & application.

### Product data

General Information		Temperature	
Number of Lamps	1-3 piece/unit	T-Case Lifetime (Max)	75 °C
		T-Case Maximum (Max)	75 °C
Operating and Electrical		Mechanical and Housing	
Input Voltage	220-240 V	Housing Material	Plastic
Input Frequency	50 or 60 Hz	Housing	L210x30x26mm
Earth Leakage Current (Max)	0.5 mA		
Inrush Current Width	0.224 ms	Approval and Application	
Inrush Current Peak (Max)	17 A	Ingress protection code	IP20 [Finger-protected]
Number of Products on MCB (16A Type B) (Max)	30	Energy Efficiency Index	A2
		Safety Standard	IEC 61347-2-3, IEC 61347-1
Wiring		Environmental Standard	ISO 14001
Connector Type Input Terminals	Insert	Approval Marks	CB Certificate CCC certificate TISI marking PSB certification RCM compliance SNI
Connector Type Output Terminals	Insert		
Connector Type	Insert		

## EB-Certalume for TL5 lamps

Certificate CS Compliance IRAM  
Compliance

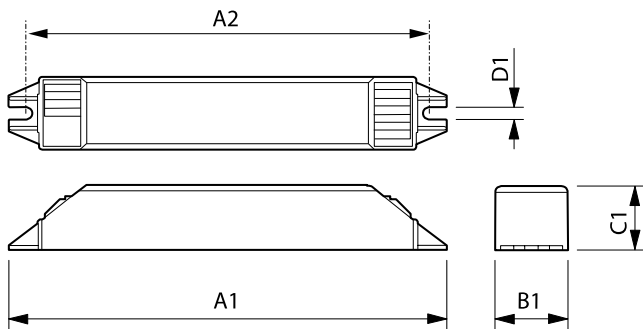
Numerator - Packs per outer box	30
Material number (12NC)	913713043280
Full product name	EB-Ci 1-2 14-28W 220-240V 50/60 Hz
EAN/UPC - Case	6947939133567

### Product Data

Full product code	694793913355000
Order product name	EB-Ci 1-2 14-28W 220-240V 50/60 Hz
Order code	913713043280
Numerator - Quantity Per Pack	1



### Dimensional drawing



Product	A1	A2	B1	C1	D1
EB-Ci 1-2 14-28W 220-240V 50/60 Hz	210 mm	200 mm	30 mm	26 mm	4.3 mm

