



Tango Mini BVP280

BVP280 LED45/WW 40W 220-240V SMB MP1

4500 lm - 40 W - 3000 K

Tango mini LED is a general purpose LED flood lighting luminaire for various lighting applications, such as area lighting, bill-board, façade, industry area and other general applications. The Tango mini LED flood light incorporates LED light source, optical system, heat sink and driver into one compact housing. Its specially designed heat sink incorporates aesthetics and functionality to ensure reliability and long lifetime. Tango mini LED takes advantage of LED technology which provides energy savings and a longer lifetime, bringing area lighting into a new era.

Product data

General information		Constant light output	
Lamp family code	-	Constant light output	No
Lamp colour code	Warm white	Number of products on MCB (16 A type B)	-
Light source replaceable	Yes	EU RoHS compliant	No
Number of gear units	-	Light source engine type	LED
Driver/power unit/transformer	Power supply unit	Serviceability class	-
Driver included	Yes	Light technical	
Optical cover/lens type	Polycarbonate micro lens optic	Standard tilt angle post-top	-
Luminaire light beam spread	57°	Standard tilt angle side entry	-
Control interface	-	Operating and electrical	
Connection	Flying leads/cables	Input Voltage	220-240 V
Cable	Cable 0.5 m without plug	Input frequency	50 or 60 Hz
Protection class IEC	Safety class I	Initial CLO power consumption	- W
Flammability mark	-	Average CLO power consumption	- W
CE mark	-	End CLO power consumption	- W
ENEC mark	-	Power factor (min.)	0.95
Warranty period	3 years		
Optic type outdoor	Symmetrical medium beam		

Tango Mini BVP280

Controls and dimming

Dimmable	No
----------	----

Mechanical and housing

Housing material	Aluminium die-cast
Reflector material	-
Optic material	Polycarbonate
Optical cover/lens material	Polycarbonate
Fixation material	Steel
Mounting device	Mounting bracket adjustable
Optical cover/lens shape	-
Optical cover/lens finish	Frosted
Overall length	253 mm
Overall width	240 mm
Overall height	47 mm
Effective projected area	0.052 m ²
Colour	Aluminium and Grey
Dimensions (height x width x depth)	47 x 240 x 253 mm

Approval and application

Ingress protection code	IP65 [Dust penetration-protected, jet-proof]
Mech. impact protection code	IK07 [2 J reinforced]
Surge protection (common/differential)	Luminaire surge protection level up to 10 kV differential mode and 10 kV common mode

Initial performance (IEC compliant)

Initial luminous flux (system flux)	4500 lm
Luminous flux tolerance	+/-10%
Initial LED luminaire efficacy	112.5 lm/W
Lamp colour temperature	3000 K
Colour Rendering Index	70
Initial chromaticity	SDCM<=7
Initial input power	40 W
Power consumption tolerance	+/-10%

Application conditions

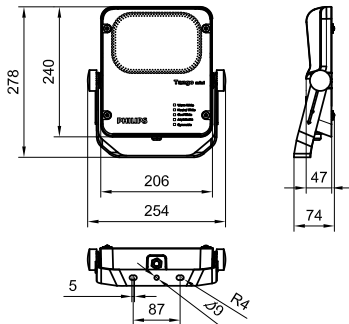
Ambient temperature range	-40 to +50 °C
---------------------------	---------------

Product data

Full product code	911401664904
Order product name	BVP280 LED45/WW 40W 220-240V SMB MP1
Order code	911401664904
SAP numerator – quantity per pack	1
Numerator – packs per outer box	1
SAP material	911401664904
Net Weight (Piece)	2.499 kg



Dimensional drawing



BVP280 LED45/WW 40W 220-240V SMB MP1

Tango Mini BVP280

