

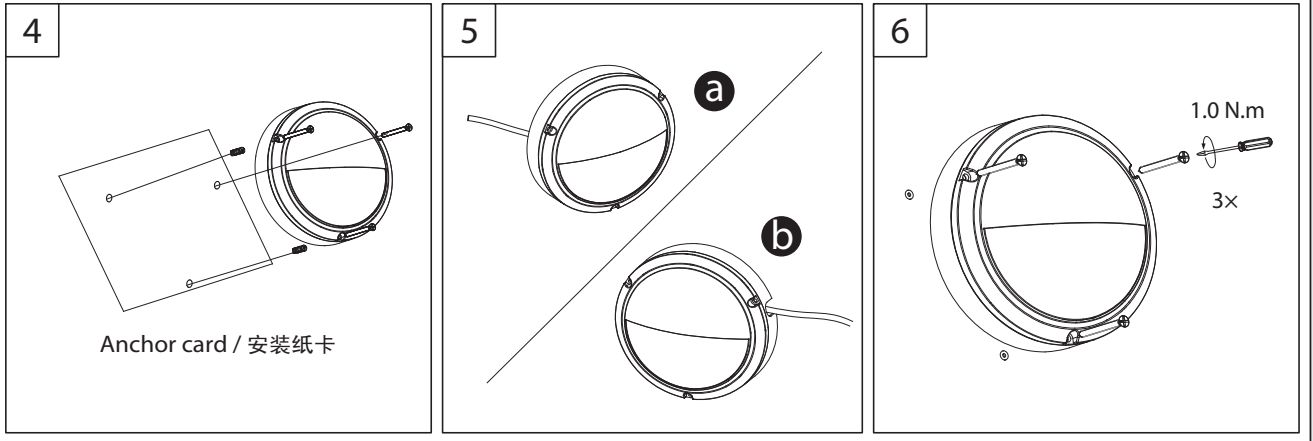
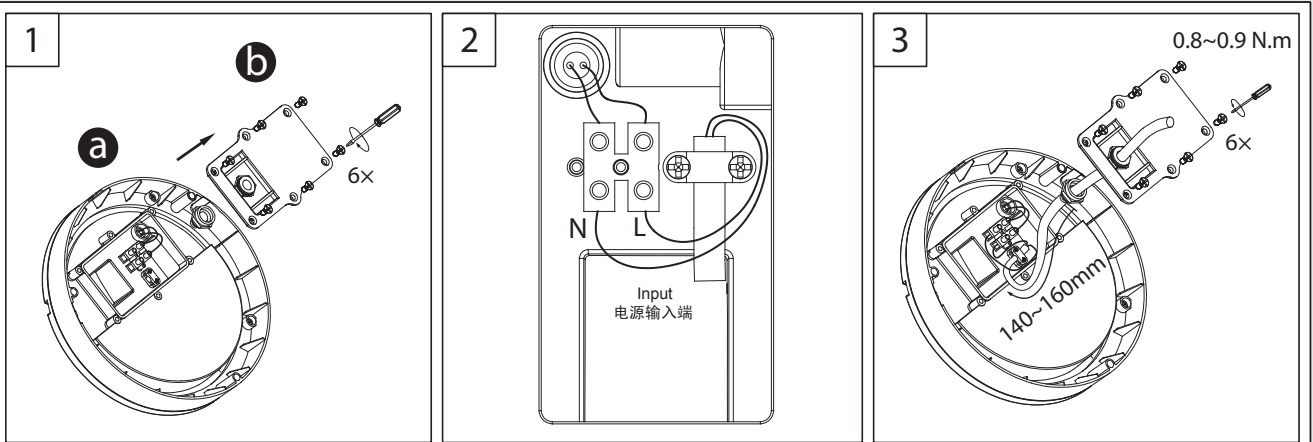
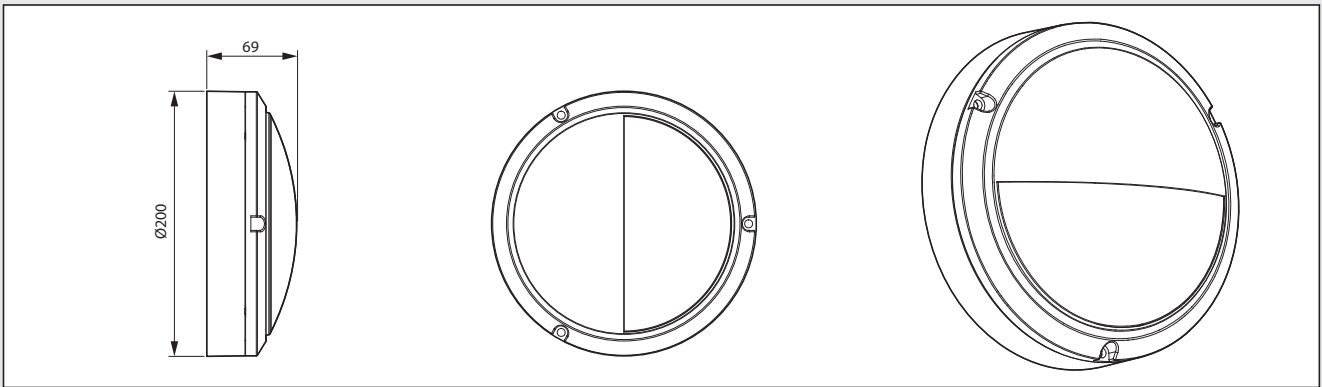
# LED Wall Mount / LED 外墙灯

BWS150

Mounting instruction 安装说明

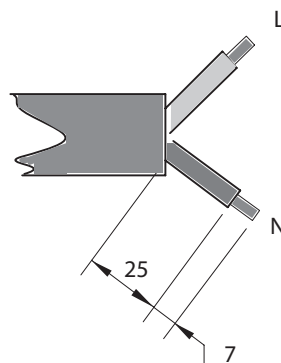
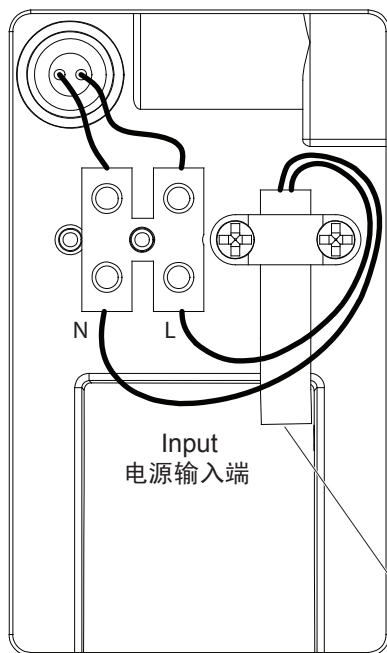


| Type Number<br>产品型号                | LEDs<br>颗粒数 | Power<br>功率 | Voltage<br>电压 | Frequency<br>频率 | Color Temperature<br>色温 |      |
|------------------------------------|-------------|-------------|---------------|-----------------|-------------------------|------|
| BWS150 LED200/WW PSU 220-240V 9006 | 96          | 7.5W        | 220-240V      | 50/60 Hz        | 3000 K                  | 0.58 |
| BWS150 LED200/NW PSU 220-240V 9006 | 96          | 7.5W        | 220-240V      | 50/60 Hz        | 4000 K                  | 0.58 |
| BWS150 LED200/WW PSU 220-240V 7043 | 96          | 7.5W        | 220-240V      | 50/60 Hz        | 3000 K                  | 0.58 |
| BWS150 LED200/NW PSU 220-240V 7043 | 96          | 7.5W        | 220-240V      | 50/60 Hz        | 4000 K                  | 0.58 |



Philips Lighting Luminaires (Shanghai) Co., Ltd.  
 Address: No. 2688, Huyi Road, Jiading, Shanghai, China  
 Postalcode: 201801  
 飞利浦灯具（上海）有限公司  
 地址：中国上海市嘉定区马陆镇沪宜公路2688号  
 邮编：201801

# PHILIPS



Power wires  $2 \times 1 \text{mm}^2$ , wire diameter 6~8mm  
 电源线  $2 \times 1 \text{mm}^2$ , 线径 6~8mm



1. The luminaire shall be installed by a qualified electrician and wired in accordance with the latest IEE electrical regulations or the national requirements.  
 灯具应由有资格的电工安装，接线要符合IEE电气标准或国家标准。
2. The luminaire shall, under no circumstance, be covered with thermal insulation matting or similar material.  
 灯具不能被隔热或类似材料覆盖。
3. Do not switch on before complete installation.  
 接线过程中，切勿通电。