



Tango G3 - BVP38x

BVP381 LED130/NW 100W 220-240V SWB GM

The energy-saving Philips Tango G3 LED Floodlight is the ideal solution for a wide range of Area lighting applications. It incorporates the LED light source, optical system, heat sink and driver into one compact and robust housing that meets globally recognised safety standards. Its specially designed heat sink incorporates aesthetics and functionality to ensure excellent reliability. Powered by LED technology, this luminaire delivers superior performance and a longer lifetime, bringing area lighting to a whole new level.

Product data

General Information	
Lamp family code	-
Lamp colour code	Neutral white
Light source replaceable	Yes
Number of gear units	-
Driver/power unit/transformer	Power supply unit
Driver included	Yes
Optical cover/lens type	Polycarbonate micro lens optic
Luminaire light beam spread	85° x 85°
Control interface	-
Connection	Flying leads/cables
Cable	Cable 1.5 m without plug
Protection class IEC	Safety class I
Flammability mark	-
CE mark	CE mark
ENEC mark	-
Warranty period	3 years
Optic type outdoor	Symmetrical wide beam

Constant light output	No
Number of products on MCB (16 A type B)	-
EU RoHS compliant	No
Light source engine type	LED
Serviceability class	-
Light Technical	
Standard tilt angle post-top	-
Standard tilt angle side entry	-
Operating and Electrical	
Input Voltage	220-240 V
Input frequency	50 or 60 Hz
Initial CLO power consumption	- W
Average CLO power consumption	- W
End CLO power consumption	- W
Power factor (min.)	0.95

Tango G3 - BVP38x

Controls and Dimming

Dimmable	No
----------	----

Mechanical and Housing

Housing material	Aluminium die-cast
Reflector material	-
Optic material	Polycarbonate
Optical cover/lens material	Polycarbonate
Fixation material	Steel
Mounting device	Mounting bracket adjustable
Optical cover/lens shape	-
Optical cover/lens finish	Frosted
Overall length	500 mm
Overall width	84 mm
Overall height	349 mm
Effective projected area	0.12 m ²
Colour	Aluminium and Grey

Approval and Application

Ingress protection code	IP66 [Dust penetration-protected, jet-proof]
Mech. impact protection code	IK08 [5 J vandal-protected]
Surge protection (common/differential)	Luminaire surge protection level up to 15 kV differential mode and 15 kV common mode

Initial Performance (IEC Compliant)

Initial luminous flux	13000 lm
-----------------------	----------

Luminous flux tolerance	+/-10%
Initial LED luminaire efficacy	130 lm/W
Lamp colour temperature	4000 K
Colour Rendering Index	70
Initial chromaticity	SDCM<=7
Initial input power	100 W
Power consumption tolerance	+/-10%

Application Conditions

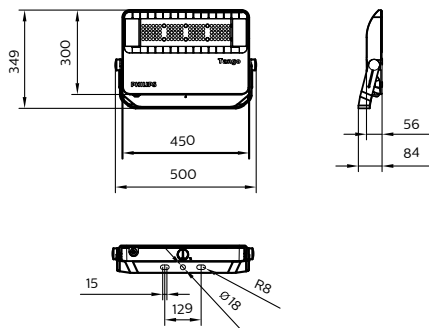
Ambient temperature range	-40 to +50 °C
Maximum dimming level	Not applicable

Product Data

Full product code	871016334423200
Order product name	BVP381 LED130/NW 100W 220-240V SWB GM
EAN/UPC – product	8710163344232
Order code	911401610505
SAP numerator – quantity per pack	1
Numerator – packs per outer box	1
SAP material	911401610505
SAP net weight (piece)	5.999 kg



Dimensional drawing



BVP38x Tango G3

Tango G3 - BVP38x

