



# Dynalite Network Devices

## DTK622-USB

Network gateway for passive integration to a PC or RS232 system. Also available as DTK622-232 (913703090109)

Network gateway for passive integration to a PC or RS232 system. Also available as DTK622-232 (913703090109)

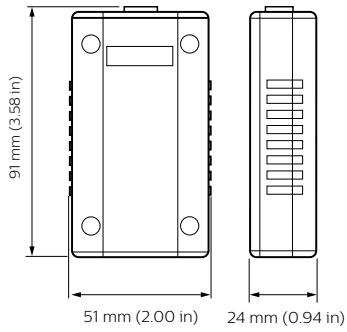
### Product data

General Information	
CE mark	CE mark
Remarks	Please download the Lighting - Product Data Sheet for more information and ordering options
EU RoHS compliant	Yes
Application Conditions	
Ambient temperature range	0 to +40 °C
Product Data	
Full product code	871016350804700

Order product name	DTK622-USB
EAN/UPC – product	8710163508047
Order code	913703090209
Numerator – quantity per pack	1
SAP numerator – packs per outer box	1
Material no. (12 NC)	913703090209
Net Weight (Piece)	0.200 kg

## Dynalite Network Devices

### Dimensional drawing



Dynalite Network Accessories

